



Ball Valve



Seamless flow. Effortless control

ANHUI HONGJI INSTRUMENT & VALVE MANUFACTURING CO., LTD.

THIS PAGE HAS INTENTIONALLY BEEN LEFT BLANK



High Performance Ball Valves

HJQF1 Series



ANHUI HONGJI INSTRUMENT& VALVE MANUFACTURING CO.,LTD.

Ordering Number Description

HJQF1	GZ		10		YZ	12	P	06	B	A	SS			
Series	Inlet Type		Inlet Size		Outlet Type		Outlet Size		Handle		Flow Pattern		Body Material	
HJQF1	FNPT	Female NPT	2	1/8"		Same as Inlet		02	0.09" (2.4 mm)	Black Nylon Handle		Straight	SS	316 SS
	MNPT	Male NPT	4	1/4"	Specify in the same way as inlet Type and inlet Size		P	03	0.13" (3.2 mm)	Red Nylon Handle	F	A	SL	316 SL
	FRT	Female BSPT	6	3/8" or 6 mm				04	0.17" (4.2 mm)	Green Nylon Handle	Q	3	S4	304 SS
	RT	Male BSPT	8	1/2" or 8 mm				05	0.19" (4.7 mm)	Blue Nylon Handle	L			
	FMS	Female Metric Thread (for RG-M)	10	10 mm				06	0.25" (6.4 mm)	Yellow Nylon Handle	H			
	MS	Male Metric Thread (for RG-M)	12	3/4" or 12 mm				10	0.41" (10.3 mm)	Black Aluminium Handle	B			
	FRP	Female BSPP (for RP)	14	14 mm or M14 x 1.5										
	BP	Male BSPP (for RG)	16	1" or 16 mm										
	YZ	Fractional Tube Fitting	18	18 mm										
	GZ	Metric Tube Fitting	20	1 1/4" or 20 mm or M20 x 1.5										
			22	22 mm or M22 x 1.5										
			24	M24 x 1.5										

Notes:1. Standard thread pitch for metric threads are as follows:

M10 and below: 1 mm

M12 to M24: 1.5 mm





High Performance Ball Valves

HJQF1 Series

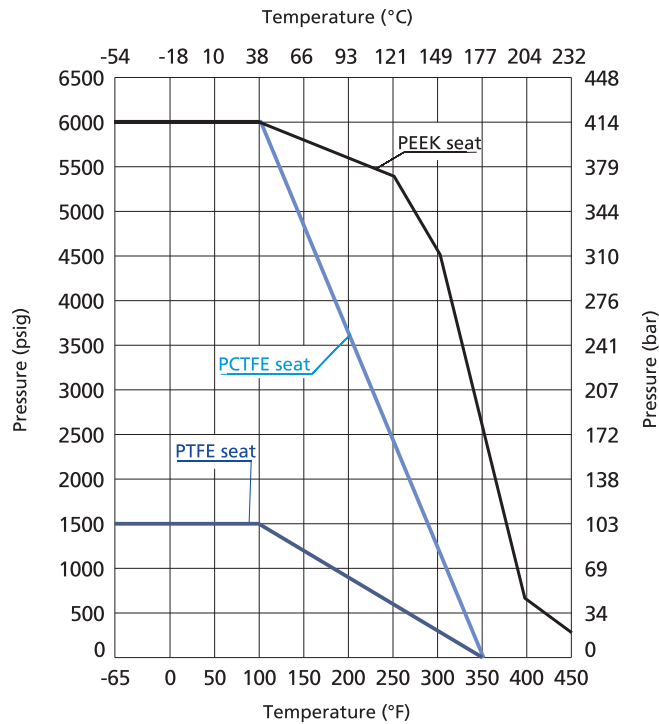
Features

- Working pressure up to: 6000 psig (414 bar)
- Working temperature: -65°F to 450F (-54°C to 232°C)
- Low operating torque
- Handle as indicator of flow direction
- Positive handle stop
- Electric and pneumatic actuator available
- Handle color options available
- Leak-tight performance testing with nitrogen or compressed air for every valve to meet the requirement of no visible leakage at the rated pressure
- Bidirectional flow for straight valves
- The inlet of 3-way valves and angle pattern valves can only be the bottom port



Pressure vs. Temperature

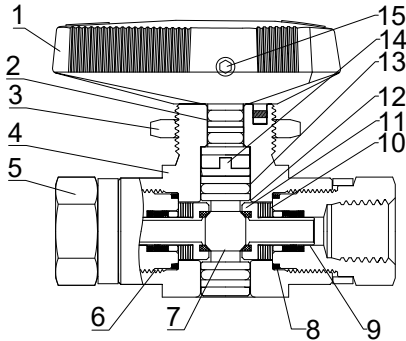
316 SS Body



Note: The working pressure of valves is restricted by materials of the valve body and seat, as well as end connections. When choosing a valve for your applications, please refer to the above Temperature vs. Pressure Curves and the pressure rating in the dimension table. The minimum value shall be the pressure rating of the valve.

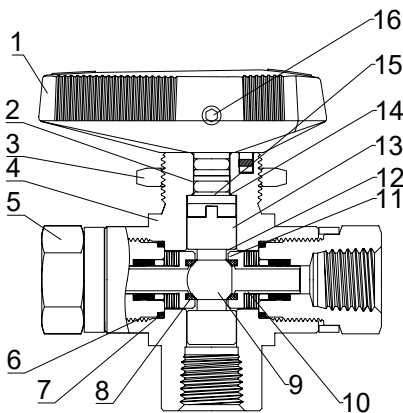
Standard Materials of Construction

Straight Valves



Item	Component	Valve Body Material
		SS
1	Handle	Nylon or Aluminium
2	Packing Nut	316 SS/A479
3	Panel Nut	316 SS/A479
4	Body	316 SS/A479
5	End Connection	316 SS/A479
6	Connection O-ring	PTFE
7	Ball	316 SS/A479
8	Seat	PTFE or PCTFE or PEEK
9	Seat Retainer	316 SS/A479
10	Seat Packing	PTFE
11	Stem Back-up Ring	PEEK
12	Stem Washer	316/A479
13	Stem Packing	PTFE
14	Stem	316 SS/A479
15	Set Screw	Galvanized carbon steel
	Lubricants	Fluorinated-based

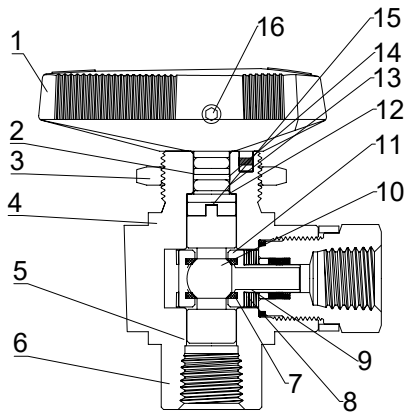
3-way Valves



Item	Component	Valve Body Material
		SS
1	Handle	Nylon or Aluminium
2	Packing Nut	316 SS/A479
3	Panel Nut	316 SS/A479
4	Body	316 SS/A479
5	End Connection	316 SS/A479
6	Connection O-ring	PTFE
7	Seat Packing	PTFE
8	Seat	PTFE or PCTFE or PEEK
9	Ball	316 SS/A479
10	Seat Retainer	316 SS/A479
11	Trunnion Bearing	PEEK
12	Stem Back-up Ring	PEEK
13	Stem Packing	PTFE
14	Stem Washer	316 SS/A479
15	Stem	316 SS/A479
16	Set Screw	Galvanized carbon steel
	Lubricants	Fluorinated-based



Angle Pattern Valves

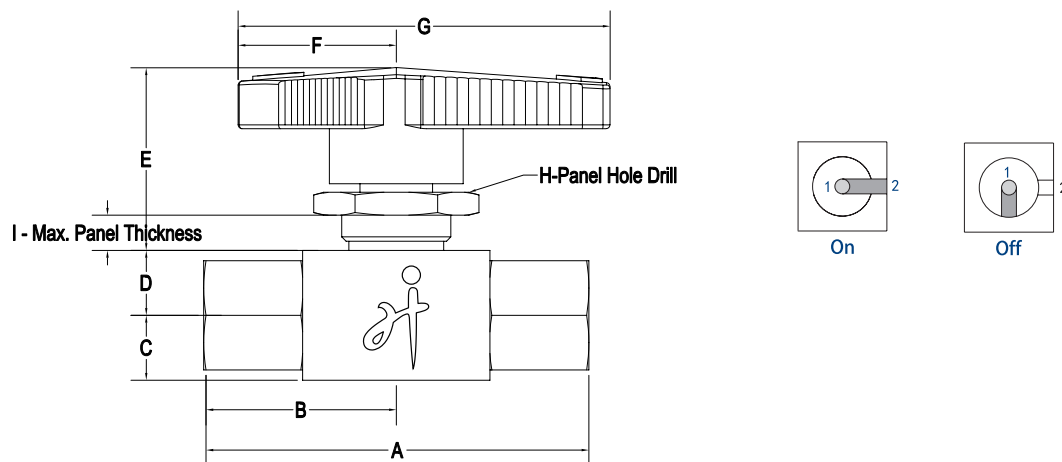


Item	Component	Valve Body Material
		SS
1	Handle	Nylon or Aluminium
2	Packing Nut	316 SS/A479
3	Panel Nut	316 SS/A479
4	Body	316 SS/A479
5	Connection O-ring	PTFE
6	End Connection	316 SS/A479
7	Seat	PTFE or PCTFE or PEEK
8	Seat Packing	PTFE
9	Seat Retainer	316 SS/A479
10	Ball	316 SS/A479
11	Trunnion Bearing	PEEK
12	Stem Back-up Ring	PEEK
13	Stem Packing	PTFE
14	Stem Washer	316 SS/A479
15	Stem	316 SS/A479
16	Set Screw	Galvanized carbon Steel
	Lubricants	Fluorinated-based

Ball Valves

Dimensions

Straight Valves





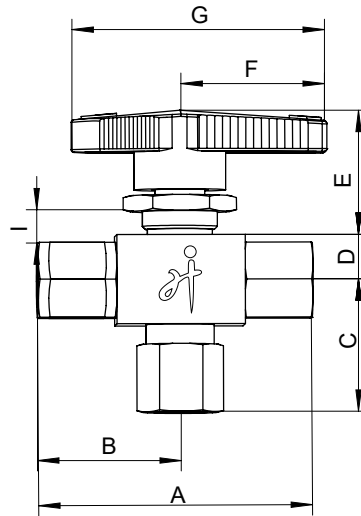
Basic Ordering Number	Connection Type and Size	Pressure Rating of End Connections @ 100°F (38°C) psig (bar)	Orifice in. (mm)	Cv	Dimensions, in. (mm)																	
					A	B	C	D	E	F	G	H	I									
HJQF1-YZ2-02-	1/8" Fractional Tube Fitting	6000 (414)	0.09 (2.4)	0.21	2.72 (69.0)	1.36 (34.5)																
HJQF1-GZ3-02-	3 mm Metric Tube Fitting	6000 (414)			2.74 (69.6)	1.37 (34.8)																
HJQF1-FRT2-04-	1/8 Female BSPT	6000 (414)	0.17 (4.2)	0.93	2.14 (54.4)	1.07 (27.2)	0.36 (9.2)	0.33 (8.5)	0.94 (23.9)	0.79 (20.0)	1.97 (50.0)	0.58 (14.7)	0.18 (4.6)									
HJQF1-FRP2-04-	1/8 Female BSPP	6000 (414)																				
HJQF1-FNPT2-04-	1/8 Female NPT	6000 (414)																				
HJQF1-RT2-04-	1/8 Male BSPT	6000 (414)																				
HJQF1-BP2-04-	1/8 Male BSPP	6000 (414)																				
HJQF1-MNPT2-04-	1/8 Male NPT	6000 (414)																				
HJQF1-RT4-04-	1/4 Male BSPT	6000 (414)																				
HJQF1-BP4-04-	1/4 Male BSPP	6000 (414)																				
HJQF1-MNPT4-04-	1/4 Male NPT	6000 (414)																				
HJQF1-YZ4-05-	1/4" Fractional Tube Fitting	6000 (414)			0.19 (4.7)	1.04								3.48 (88.4)	1.74 (44.2)	0.48 (12.2)	0.48 (12.2)	1.24 (31.5)	0.59 (25.0)	2.64 (67.0)	0.77 (19.6)	0.25 (6.4)
HJQF1-GZ6-05-	6 mm Metric Tube Fitting	6000 (414)																				
HJQF1-YZ6-06-	3/8" Fractional Tube Fitting	6000 (414)																				
HJQF1-GZ8-06-	8 mm Metric Tube Fitting	6000 (414)																				
HJQF1-GZ10-06-	10 mm Metric Tube Fitting	6000 (414)																				
HJQF1-FRT4-06-	1/4 Female BSPT	6000 (414)																				
HJQF1-FRP4-06-	1/4 Female BSPP	6000 (414)																				
HJQF1-FNPT4-06-	1/4 Female NPT	6000 (414)																				
HJQF1-RT4-06-	1/4 Male BSPT	6000 (414)																				
HJQF1-BP4-06-	1/4 Male BSPP	6000 (414)																				
HJQF1-MNPT4-06-	1/4 Male NPT	6000 (414)																				
HJQF1-RT6-06-	3/8 Male BSPT	6000 (414)	0.25 (6.4)	2.34	3.24 (82.2)	1.62 (41.1)	0.75 (19.0)	0.71 (18.0)	1.54 (39.0)	1.42 (36.0)	3.78 (96.0)	0.90 (22.9)	0.38 (9.7)									
HJQF1-BP6-06-	3/8 Male BSPP	6000 (414)																				
HJQF1-MNPT6-06-	3/8 Male NPT	6000 (414)																				
HJQF1-YZ8-10-	1/2 " Fractional Tube Fitting	6000 (414)	0.41 (10.3)	6.42	4.68 (118.8)	2.34 (59.4)	0.75 (19.0)	0.71 (18.0)	1.54 (39.0)	1.42 (36.0)	3.78 (96.0)	0.90 (22.9)	0.38 (9.7)									
HJQF1-YZ12-10-	3/4" Fractional Tube Fitting	5800 (400)																				
HJQF1-GZ12-10-	12 mm Metric Tube Fitting	6000 (414)	0.41 (10.3)	6.42	4.66 (118.4)	2.33 (59.2)	0.75 (19.0)	0.71 (18.0)	1.54 (39.0)	1.42 (36.0)	3.78 (96.0)	0.90 (22.9)	0.38 (9.7)									
HJQF1-GZ14-10-	14 mm Metric Tube Fitting	6000 (414)																				
HJQF1-GZ16-10-	16 mm Metric Tube Fitting	5800 (400)																				

Ball Valves



Basic Ordering Number	Connection Type and Size	Pressure Rating of End Connections @ 100°F (38°C) psig (bar)	Orifice in. (mm)	Cv	Dimensions, in. (mm)															
					A	B	C	D	E	F	G	H	I							
HJQF1-GZ18-10-	18 mm Metric Tube Fitting	5400 (372)	0.41 (10.3)	6.42	4.66 (118.4)	2.33 (59.2)														
HJQF1-GZ20-10-	20 mm Metric Tube Fitting	5500 (379)			4.84 (123.0)	2.42 (61.5)														
HJQF1-GZ22-10-	22 mm Metric Tube Fitting	4900 (338)																		
HJQF1-FRT6-10-	3/8 Female BSPT	6000 (414)																		
HJQF1-FRP6-10-	3/8 Female BSPP	6000 (414)					3.90 (99.0)	1.95 (49.5)												
HJQF1-FNPT6-10-	3/8 Female NPT	6000 (414)																		
HJQF1-FRT8-10-	1/2 Female BSPT	6000 (414)					4.30 (109.2)	2.15 (54.6)												
HJQF1-FRP8-10-	1/2 Female BSPP	6000 (414)					3.97 (101.0)	1.99 (50.5)												
HJQF1-FNPT8-10-	1/2 Female NPT	6000 (414)					4.30 (109.2)	2.15 (54.6)	0.75 (19.0)	0.71 (18.0)	1.54 (39.0)	1.42 (36.0)	3.78 (96.0)	0.90 (22.9)	0.38 (9.7)					
HJQF1-FRT12-10-	3/4 Female BSPT	6000 (414)																		
HJQF1-FRP12-10-	3/4 Female BSPP	6000 (414)					4.50 (114.2)	2.25 (57.1)												
HJQF1-FNPT12-10-	3/4 Female NPT	6000 (414)																		
HJQF1-RT8-10-	1/2 Male BSPT	6000 (414)																		
HJQF1-BP8-10-	1/2 Male BSPP	6000 (414)																		
HJQF1-MNPTS8-10-	1/2 Male NPT	6000 (414)					4.44 (112.8)	2.22 (56.4)												
HJQF1-RT12-10-	3/4 Male BSPT	6000 (414)																		
HJQF1-BP12-10-	3/4 Male BSPP	6000 (414)																		
HJQF1-MNPT12-10-	3/4 Male NPT	6000 (414)																		

3-way Valves



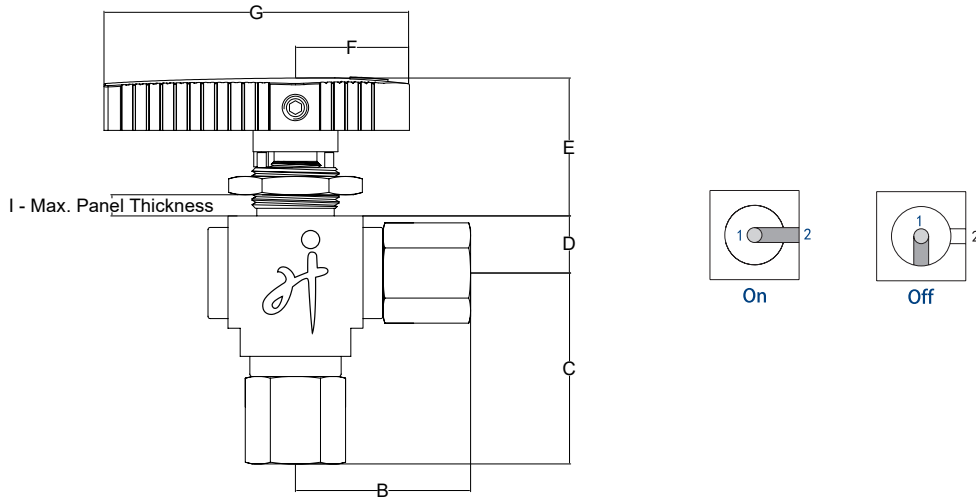
Basic Ordering Number	Connection Type and Size	Pressure Rating of End Connections @ 100°F (38°C) psig (bar)	Orifice in. (mm)	Cv	Dimensions, in. (mm)										
					A	B	C	D	E	F	G	H	I		
HJQF1-YZ2-02-3-	1/8" Fractional Tube Fitting	6000 (414)	0.09 (2.4)	0.21	2.72 (69.0)	1.36 (34.5)	1.41 (35.8)								
HJQF1-GZ3-02-3-	3 mm Metric Tube Fitting	6000 (414)			2.74 (69.6)	1.37 (34.8)	1.42 (36.1)								
HJQF1-FRT2-04-3-	1/8 Female BSPT	6000 (414)	0.12 (3.0)	0.28	2.14 (54.4)	1.07 (27.2)	1.12 (28.5)								
HJQF1-FRP2-04-3-	1/8 Female BSPP	6000 (414)													
HJQF1-FNPT2-04-3-	1/8 Female NPT	6000 (414)													
HJQF1-RT2-04-3-	1/8 Male BSPT	6000 (414)					2.36 (60.0)	1.18 (30.0)	1.23 (31.3)	0.33 (8.5)	0.94 (23.9)	0.79 (20.0)	1.97 (50.0)	0.58 (14.7)	0.18 (4.6)
HJQF1-BP2-04-3-	1/8 Male BSPP	6000 (414)													
HJQF1-MNPT2-04-3-	1/8 Male NPT	6000 (414)													
HJQF1-RT4-04-3-	1/4 Male BSPT	6000 (414)													
HJQF1-BP4-04-3-	1/4 Male BSPP	6000 (414)					2.70 (68.6)	1.35 (34.3)	1.40 (35.6)						
HJQF1-MNPT4-04-3-	1/4 Male NPT	6000 (414)													
HJQF1-YZ4-05-3-	1/4" Fractional Tube Fitting	6000 (414)			0.19 (4.7)	0.7	3.48 (88.4)	1.74 (44.2)	1.88 (47.7)						
HJQF1-GZ6-05-3-	6 mm Metric Tube Fitting	6000 (414)	3.50 (89.0)	1.75 (44.5)			1.89 (48.0)								
HJQF1-YZ6-06-3-	3/8" Fractional Tube Fitting	6000 (414)	3.60 (91.4)	1.80 (45.7)			1.94 (49.2)	0.48 (12.2)	1.24 (31.5)	0.59 (25.0)	2.64 (67.0)	0.77 (19.6)	0.25 (6.4)		
HJQF1-GZ8-06-3-	8 mm Metric Tube Fitting	6000 (414)	3.56 (90.4)	1.78 (45.2)			1.92 (48.7)								
HJQF1-GZ10-06-3-	10 mm Metric Tube Fitting	6000 (414)	3.62 (92.0)	1.81 (46.0)			1.95 (49.5)								
HJQF1-FRT4-06-3-	1/4 Female BSPT	6000 (414)	3.02 (76.8)	1.51 (38.4)			1.65 (41.9)								



Basic Ordering Number	Connection Type and Size	Pressure Rating of End Connections @ 100°F (38°C) psig (bar)	Orifice in. (mm)	Cv	Dimensions, in. (mm)											
					A	B	C	D	E	F	G	H	I			
HJQF1-FRP4-06-3-	1/4 Female BSPP	6000 (414)	0.19 (4.7)	0.7	3.02 (76.8)	1.51 (38.4)	1.65 (41.9)									
HJQF1-FNPT4-06-3-	1/4 Female NPT	6000 (414)														
HJQF1-RT4-06-3-	1/4 Male BSPT	6000 (414)														
HJQF1-BP4-06-3-	1/4 Male BSPP	6000 (414)							0.48 (12.2)	1.24 (31.5)	0.59 (25.0)	2.64 (67.0)	0.77 (19.6)	0.25 (6.4)		
HJQF1-MNPT4-06-3-	1/4 Male NPT	6000 (414)					3.24 (82.2)	1.62 (41.1)	1.76 (44.6)							
HJQF1-RT6-06-3-	3/8 Male BSPT	6000 (414)														
HJQF1-BP6-06-3-	3/8 Male BSPP	6000 (414)														
HJQF1-MNPT6-06-3-	3/8 Male NPT	6000 (414)														
HJQF1-YZ8-10-3-	1/2" Fractional Tube Fitting	6000 (414)	0.37 (9.5)	3.48	4.68 (118.8)	2.34 (59.4)	2.68 (68.1)									
HJQF1-YZ12-10-3-	3/4" Fractional Tube Fitting	5800 (400)														
HJQF1-GZ12-10-3-	12 mm Metric Tube Fitting	6000 (414)														
HJQF1-GZ14-10-3-	14 mm Metric Tube Fitting	6000 (414)					4.66 (118.4)	2.33 (59.2)	2.67 (67.9)							
HJQF1-GZ16-10-3-	16 mm Metric Tube Fitting	5800 (400)														
HJQF1-GZ18-10-3-	18 mm Metric Tube Fitting	5400 (372)														
HJQF1-GZ20-10-3-	20 mm Metric Tube Fitting	5500 (379)					4.84 (123.0)	2.42 (61.5)	2.76 (70.2)							
HJQF1-GZ22-10-3-	22 mm Metric Tube Fitting	4900 (338)														
HJQF1-FRT6-10-3-	3/8 Female BSPT	6000 (414)														
HJQF1-FRP6-10-3-	3/8 Female BSPP	6000 (414)					3.90 (99.0)	1.95 (49.5)	2.29 (58.2)							
HJQF1-FNPT6-10-3-	3/8 Female NPT	6000 (414)														
HJQF1-FRT8-10-3-	1/2 Female BSPT	6000 (414)					4.30 (109.2)	2.15 (54.6)	2.49 (63.3)	0.71 (18.0)	1.54 (39.0)	1.42 (36.0)	3.78 (96.0)	0.90 (22.9)	0.38 (9.7)	
HJQF1-FRP8-10-3-	1/2 Female BSPP	6000 (414)					3.97 (101.0)	1.99 (50.5)	2.33 (59.1)							
HJQF1-FNPT8-10-3-	1/2 Female NPT	6000 (414)					4.30 (109.2)	2.15 (54.6)	2.49 (63.3)							
HJQF1-FRT12-10-3-	3/4 Female BSPT	6000 (414)														
HJQF1-FRP12-10-3-	3/4 Female BSPP	6000 (414)					4.50 (114.2)	2.25 (57.1)	2.59 (65.8)							
HJQF1-FNPT12-10-3-	3/4 Female NPT	6000 (414)														
HJQF1-RT8-10-3-	1/2 Male BSPT	6000 (414)														
HJQF1-BP8-10-3-	1/2 Male BSPP	6000 (414)														
HJQF1-MNPT8-10-3-	1/2 Male NPT	6000 (414)														
HJQF1-RT12-10-3-	3/4 Male BSPT	6000 (414)			4.44 (112.8)	2.22 (56.4)	2.56 (65.1)									
HJQF1-BP12-10-3-	3/4 Male BSPP	6000 (414)														
HJQF1-MNPT12-10-3-	3/4 Male NPT	6000 (414)														



Angle Pattern Valves



Basic Ordering Number	Connection Type and Size	Pressure Rating of End Connections @ 100°F (38°C) psig (bar)	Orifice in. (mm)	Cv	Dimensions, in. (mm)											
					B	C	D	E	F	G	H	I				
HJQF1-YZ1-01-A-	1/16" Fractional Tube Fitting	6000 (414)	0.05 (1.3)	0.06	1.30 (33.0)	1.35 (34.3)										
HJQF1-YZ2-02-A-	1/8" Fractional Tube Fitting	6000 (414)	0.09 (2.4)	0.21	1.36 (34.5)	1.41 (35.8)										
HJQF1-GZ3-02-A-	3 mm Metric Tube Fitting	6000 (414)			1.37 (34.8)	1.42 (36.1)										
HJQF1-FRT2-04-A-	1/8 Female BSPT	6000 (414)	0.12 (3.0)	0.28	1.07 (27.2)	1.12 (28.5)										
HJQF1-FRP2-04-A-	1/8 Female BSPP	6000 (414)														
HJQF1-FNPT2-04-A-	1/8 Female NPT	6000 (414)							0.33 (8.5)	0.94 (23.9)	0.79 (20.0)	1.97 (50.0)	0.58 (14.7)	0.18 (4.6)		
HJQF1-RT2-04-A-	1/8 Male BSPT	6000 (414)					1.18 (30.0)	1.23 (31.3)								
HJQF1-BP2-04-A-	1/8 Male BSPP	6000 (414)														
HJQF1-MNPT2-04-A-	1/8 Male NPT	6000 (414)														
HJQF1-RT4-04-A-	1/4 Male BSPT	6000 (414)														
HJQF1-BP4-04-A-	1/4 Male BSPP	6000 (414)					1.35 (34.3)	1.40 (35.6)								
HJQF1-MNPT4-04-A-	1/4 Male NPT	6000 (414)														
HJQF1-YZ4-05-A-	1/4" Fractional Tube Fitting	6000 (414)			0.19 (4.7)	0.70	1.74 (44.2)	1.88 (47.7)								
HJQF1-GZ6-05-A-	6 mm Metric Tube Fitting	6000 (414)							1.75 (44.5)	1.89 (48.0)	0.48 (12.2)	1.24 (31.5)	0.59 (25.0)	2.64 (67.0)	0.77 (19.6)	0.25 (6.4)
HJQF1-YZ6-06-A-	3/8" Fractional Tube Fitting	6000 (414)							1.80 (45.7)	1.94 (49.2)						
HJQF1-GZ8-06-A-	8 mm Metric Tube Fitting	6000 (414)					1.78 (45.2)	1.92 (48.7)								



Ball Valves

Basic Ordering Number	Connection Type and Size	Pressure Rating of End Connections @ 100°F (38°C) psig (bar)	Orifice in. (mm)	Cv	Dimensions, in. (mm)							
					B	C	D	E	F	G	H	I
HJQF1-GZ10-06-A-	10 mm Metric Tube Fitting	6000 (414)	0.19 (4.7)	0.70	1.81 (46.0)	1.95 (49.5)	0.48 (12.2)	1.24 (31.5)	0.59 (25.0)	2.64 (67.0)	0.77 (19.6)	0.25 (6.4)
HJQF1-FRT4-06-A-	1/4 Female BSPT	6000 (414)										
HJQF1-FRP4-06-A-	1/4 Female BSPP	6000 (414)										
HJQF1-FNPT4-06-A-	1/4 Female NPT	6000 (414)										
HJQF1-RT4-06-A-	1/4 Male BSPT	6000 (414)										
HJQF1-BP4-06-A-	1/4 Male BSPP	6000 (414)										
HJQF1-MNPT4-06-A-	1/4 Male NPT	6000 (414)										
HJQF1-RT6-06-A-	3/8 Male BSPT	6000 (414)										
HJQF1-BP6-06-A-	3/8 Male BSPP	6000 (414)										
HJQF1-MNPT6-06-A-	3/8 Male NPT	6000 (414)										
HJQF1-YZ8-10-A-	1/2" Fractional Tube Fitting	6000 (414)	0.37 (9.5)	3.48	2.34 (59.4)	2.68 (68.1)	0.71 (18.0)	1.54 (39.0)	1.42 (36.0)	3.78 (96.0)	0.90 (22.9)	0.38 (9.7)
HJQF1-YZ12-10-A-	3/4" Fractional Tube Fitting	5800 (400)										
HJQF1-GZ12-10-A-	12 mm Metric Tube Fitting	6000 (414)										
HJQF1-GZ14-10-A-	14 mm Metric Tube Fitting	6000 (414)										
HJQF1-GZ16-10-A-	16 mm Metric Tube Fitting	5800 (400)										
HJQF1-GZ18-10-A-	18 mm Metric Tube Fitting	5400 (372)										
HJQF1-GZ20-10-A-	20 mm Metric Tube Fitting	5500 (379)										
HJQF1-GZ22-10-A-	22 mm Metric Tube Fitting	4900 (338)										
HJQF1-FRT6-10-A-	3/8 Female BSPT	6000 (414)										
HJQF1-FRP6-10-A-	3/8 Female BSPP	6000 (414)										
HJQF1-FNPT6-10-A-	3/8 Female NPT	6000 (414)										
HJQF1-FRT8-10-A-	1/2 Female BSPT	6000 (414)										
HJQF1-FRP8-10-A-	1/2 Female BSPP	6000 (414)										
HJQF1-FNPT8-10-A-	1/2 Female NPT	6000 (414)										
HJQF1-FRT12-10-A-	3/4 Female BSPT	6000 (414)										
HJQF1-FRP12-10-A-	3/4 Female BSPP	6000 (414)										
HJQF1-FNPT12-10-A-	3/4 Female NPT	6000 (414)										
HJQF1-RT8-10-A-	1/2 Male BSPT	6000 (414)										
HJQF1-BP8-10-A-	1/2 Male BSPP	6000 (414)										
HJQF1-MNPT8-10-A-	1/2 Male NPT	6000 (414)										



Basic Ordering Number	Connection Type and Size	Pressure Rating of End Connections @ 100°F (38°C) psig (bar)	Orifice in. (mm)	Cv	Dimensions, in. (mm)							
					B	C	D	E	F	G	H	I
HJQF1-RT12-10-A-	3/4 Male BSPT	6000 (414)	0.37 (9.5)	3.48	2.22 (56.4)	2.56 (65.1)	0.71 (18.0)	1.54 (39.0)	1.42 (36.0)	3.78 (96.0)	0.90 (22.9)	0.38 (9.7)
HJQF1-BP12-10-A-	3/4 Male BSPP	6000 (414)										
HJQF1-MNPT12-10-A-	3/4 Male NPT	6000 (414)										

Locking Device

- ⊙ Lock the valve in the open or closed position.
- ⊙ Panel mounting not available.
- ⊙ To order a ball valve with locking device, add **-Y** to the valve ordering number.

Example: **HJQF1-GZ12-10-Y-SS**



Hex Bar Stock Ball Valves

HJQF2 Series



ANHUI HONGJI INSTRUMENT& VALVE MANUFACTURING CO.,LTD.

Ordering Number Description

HJQF2	GZ		8		YZ		4		05		U		Y		SS	
Series	Inlet Type		Inlet Size		Outlet Type		Outlet Type		Orifice Size		Handle		Locking Device		Body Material	
HJQF2	FNPT	Female NPT	2	1/8"	Same as Inlet	05	0.19" (4.8 mm)	Yellow Handle Sleeve	NO	SS 316 SS						
	MNPT	Male NPT	4	1/4"							Specify in the same way as inlet Type and inlet Size	07	0.28" (7.1 mm)	F Red Handle Sleeve	Y Yes	SL 316 SL
	FRT	Female BSPT	6	3/8" or 6 mm	10	0.35" (8.9 mm)	L Blue Handle Sleeve			S4 304 SS						
	RT	Male BSPT	8	1/2" or 8 mm							13	0.47" (12.0 mm)	U Black Aluminium			
	FMS	Female Metric Thread (for RG-M)	10	10 mm	16	0.63" (16.0 mm)	B Black Nylon									
	MS	Male Metric Thread (for RG-M)	12	3/4" or 12 mm							DH	Butterfly Handle with Yellow Plastic Handle Sleeve				
	FRP	Female BSPP (for RP)	14	14 mm or M14 x 1.5	DF	Butterfly Handle with Red Plastic Handle Sleeve										
	BP	Male BSPP (for RG)	16	1" or 16 mm							DL	Butterfly Handle with Blue Plastic Handle Sleeve				
	YZ	Fractional Tube Fitting	18	18 mm												
	GZ	Metric Tube Fitting	20	1 1/4" or 20 mm or M20 x 1.5												
			22	22 mm or M22 x 1.5												
			24	M24 x 1.5												

Notes:1. Standard thread pitch for metric threads are as follows:

M10 and below: 1 mm

M12 to M24: 1.5 mm





Hex Bar Stock Ball Valves

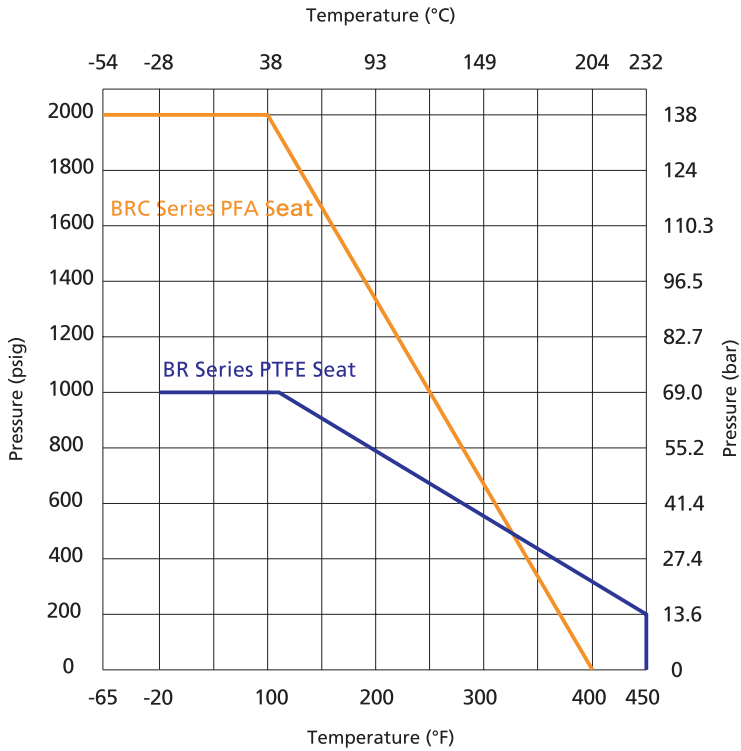
HJQF2 Series

Features

- Working pressure up to:
 - HJQF2 Series: 1500 psig (105 bar)
- Working temperature:
 - HJQF2 Series: -65°F to 400°F (-54°C to 204°C)
- Compact and economical design
- Free floating ball design for seat wear compensation
- Bidirectional flow
- Low operating torque
- A variety of end connections available
- Blowout proof stem
- Handle color options available
- Leak-tight performance testing with nitrogen or compressed air for every valve at the rated pressure to meet the requirement of no visible leak

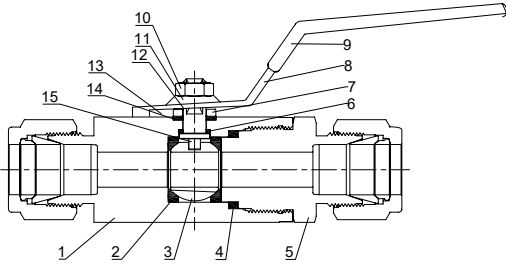


Pressure vs. Temperature



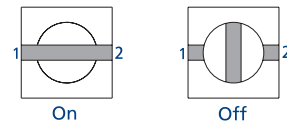
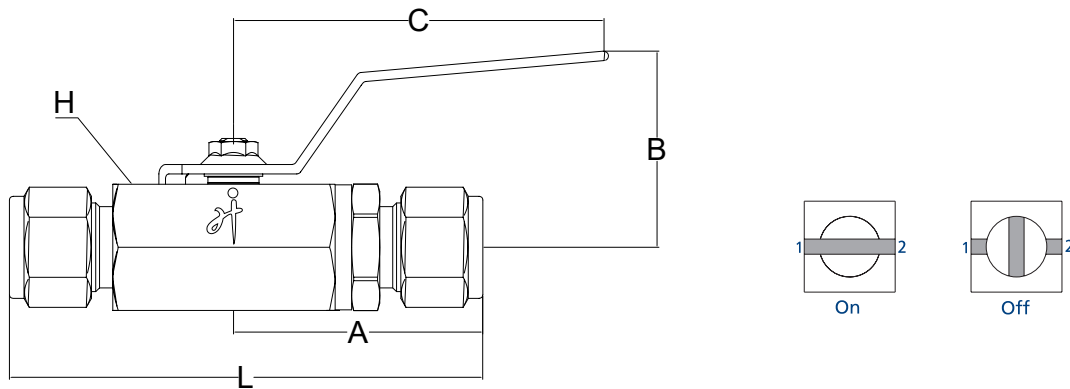
Standard Materials of Construction

HJQF2 Series



HJQF2 Series		
Item	Component	Valve Body Material
		316 SS
Material Grade/ASTM Specification		
1	Body	316 SS/A479
2	Front Seat	PTFE/D1710
3	Ball	316 SS/A479
4	Back Seat	PTFE/D1710
5	End Connection	316 SS/A479
6	Lower Packing	PTFE/D1710
7	Washer	316 SS/A479
8	Handle	304 SS/A240 or Aluminium
9	Sleeve	Vinyl
10	Stem Nut	SS
11	Gasket	SS
12	Coned-disc Spring	S17700/A693
13	Stop Pin	SS
14	Upper Packing	PTFE/D1710
15	Stem	316 SS/A479

Dimensions





Basic Ordering Number	Connection Type and Size Connection 1/2	Orifice in. (mm)	Cv	Dimensions, in. (mm)						
				B	C	D	E	F		
HJQF2-GZ6-05-	6 mm Metric Tube Fitting	0.19 (4.8)	0.70	2.57 (65.2)	1.50 (38.1)	3/4 (19.05)	2.36 (60)	1.18 (30)		
HJQF2-GZ8-05-	8 mm Metric Tube Fitting			2.63 (66.8)	1.53 (38.8)					
HJQF2-YZ4-05-	1/4" Fractional Tube Fitting			2.57 (65.2)	1.50 (38.1)					
HJQF2-YZ5-05-	5/16" Fractional Tube Fitting			2.63 (66.8)	1.53 (38.8)					
HJQF2-FNPT2-05-	1/8 Female NPT			1.85 (47.0)	1.08 (27.4)					
HJQF2-FRP2-05-	1/8 Female BSPP			2.00 (50.0)	1.14 (29.0)					
HJQF2-FRP4-05-	1/4 Female BSPP			2.00 (50.0)	1.14 (29.0)					
HJQF2-FNPT4-05-	1/4 Female NPT			1.85 (47.0)	1.08 (27.4)					
HJQF2-GZ10-07-	10 mm Metric Tube Fitting	0.28 (7.1)	2.50	2.87 (72.9)	1.68 (42.7)	7/8 (22.23)	3.15 (80)	1.26 (32)		
HJQF2-YZ6-07-	3/8" Fractional Tube Fitting			2.03 (51.6)	1.18 (30.0)					
HJQF2-FRP6-07-	3/8 Female BSPP									
HJQF2-FNPT6-07-	3/8 Female NPT									
HJQF2-GZ12-10-	12 mm Metric Tube Fitting	0.35 (8.9)	9.25	3.15 (80.0)	1.83 (46.5)	1 1/16 (27.0)	3.15 (80)	1.54 (39)		
HJQF2-GZ14-10-	14 mm Metric Tube Fitting			3.24 (82.2)	1.87 (47.5)					
HJQF2-YZ8-10-	1/2" FITOK			3.15 (80.0)	1.83 (46.5)					
HJQF2-YZ10-10-	5/8" Fractional Tube Fitting			3.24 (82.2)	1.87 (47.5)					
HJQF2-FRP8-10-	1/2 Female BSPP			2.08 (53.0)	1.12 (28.5)					
HJQF2-FNPT8-10-	1/2 Female NPT			2.08 (53.0)	1.12 (28.5)					
HJQF2-GZ16-13-	16 mm Metric Tube Fitting	0.47 (12.0)	12.65	3.50 (88.9)	2.00 (50.8)	1 1/4 (31.75)	3.94 (100)	2.03 (51.7)		
HJQF2-GZ18-13-	18 mm Metric Tube Fitting									
HJQF2-YZ12-13-	3/4" Fractional Tube Fitting									
HJQF2-FRP12-13-	3/4 Female BSPP								2.48 (63.0)	1.30 (33.0)
HJQF2-FNPT12-13-	3/4 Female NPT								2.39 (60.7)	1.20 (30.5)
HJQF2-GZ22-16-	22 mm Metric Tube Fitting	0.63 (16.0)	17.35	3.96 (100.6)	2.24 (57.1)	1 1/2 (38.1)	2.15 (54.8)			
HJQF2-GZ25-16-	25 mm Metric Tube Fitting			3.25 (82.6)	1.63 (41.3)					
HJQF2-YZ16-16-	1" Fractional Tube Fitting							4.31 (109.5)	2.42 (61.5)	
HJQF2-FRP16-16-	1 Female BSPP									
HJQF2-FNPT16-16-	1 Female NPT							3.00 (76.5)	1.50 (38.1)	

BUTTERFLY HANDLE

© TO ORDER A BALL VALVE WITH BUTTERFLY HANDLE, ADD -T TO THE VALVE ORDERING NUMBER.

EXAMPLE: HJQF2-YZ12-03-T-SS



THIS PAGE HAS INTENTIONALLY BEEN LEFT BLANK

last updated 2023.04
Copyright 2023.



ANHUI HONGJI INSTRUMENT& VALVE MANUFACTURING CO.,LTD.

Web: www.hongjienterprise.com

Mail: sales@hongjienterprise.com

Add: No.77 Tiancha Rd.Tianchang,Anhui Province, China.