



Uncommon items

Thread Types







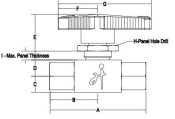
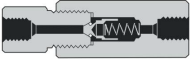
Seamless flow. Effortless control

ANHUI HONGJI INSTRUMENT & VALVE MANUFACTURING CO., LTD.

THIS PAGE HAS INTENTIONALLY BEEN LEFT BLANK



Contents

		Plugs - HJBFP	3
		Filters - HJGL	5
		Fittings - HJMM	7
		Ball valves - HJQF3	9
		Check valves - HJZH	13

Uncommon



Features

- ◎ Threads with rolling forming rather than lathe machining are more smooth and avoid galling
- ◎ Hardened Thread extends the life cycle
- ◎ Every fitting is marked with size, material, and manufacturing number

Technical Data

- ◎ Size range from 1/16 - 2in. Or 6mm- 30mm
- ◎ Thread Specifications

Thread Type	Specificatio
NPT	ASME B1.20.1, SAE AS71051
ISO Tapered	ISO 7-1,BS 21,JIS B0203
ISO Parallel	ISO 228, JIS B0202
SAE/MS	ASME B1.1, SAE J475
Metric	ISO 261

- ◎ Working Temperature:
 - 1.The working temperatures of the thread ends are equal to the data of the Dual Ferrule-type tube fitting
- ◎ Working Pressure:
 1. Catalog working pressures shown are based on ANSI/ASME B31.3 at ambient temperature.

Cautions

- ◎ Do not loosen or tighten fittings when system is pressurized
- ◎ Always use proper thread sealants on tapered pipe threads.
- ◎ Confirm the sealing type when choosing the straight threads, make sure the construction of the matching threads comply with the sealing type

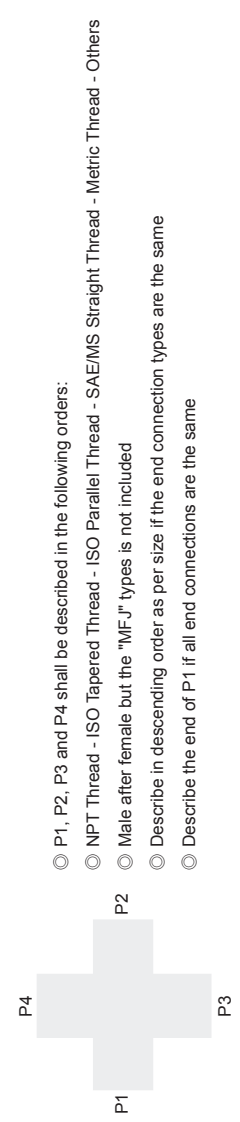


Plugs HJBF

Uncommon

Ordering Number Description

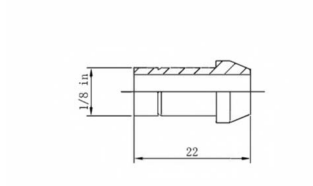
HJBF-GZ2-SS					
HJ	HJ	Fitting Type	P1 Type	Fitting Type	Material
	BFP	Plug	GZ	Fractional Tube Fitting	SS
					316 SS
				2	S6L
				4	S4
					S21
					904L
					M4
					Alloy 400
					Alloy 600
					Alloy C-276
					Carbon Steel
					MS
					Brass





Discription

Plugs HJBFP

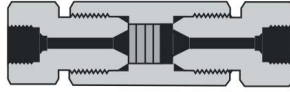


P-NPT Size	Basic Ordering Number	Dimensions, mm / in.				Working Pressure psig(bar)	
		L	D			316 SS, Steel	Brass
1/8	HJBFP-GZ2-	22 mm	1/8 in.			15000(1034)	5500(378)

Uncommon



HJGL filters



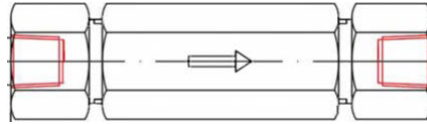
Uncommon

**Ordering Number
Description**

HJGL15-NPT2-5-SS					
HJ	Filter Type	Pressure	Connection type	Hex size	Material
HJ	GL Filter	15 15 000 psi	NPT2 Internal thread UNF 1/2"x20 (20 threads/inch).	5 0,75 inch	SS S6L S4 S21 904L M4 INC6 HC CS MS 316 SS 316L SS 304 SS 321 SS 904L SS Alloy 400 Alloy 600 Alloy C-276 Carbon Steel Bras s



HJGL filters discription



Female thread filters				Male Metric Threads			
P-NPT Size	Thread type	Basic Ordering Number	Dimensions				Working Pressure psig(bar) 316 SS, Steel
			L	Hex size	Micron size	Type	
1/2	Female UNF 1/2"x20 (20 pitch/ inch).	HJGL15-NPT2-5-	80	0,75 inch	100 mkm	Inline	7700(530)

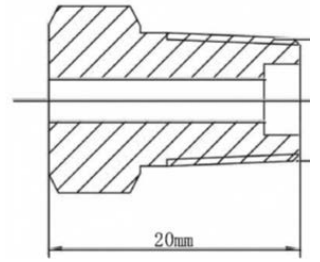


Fittings and glands HJMM

Uncommon

Ordering Number
Description

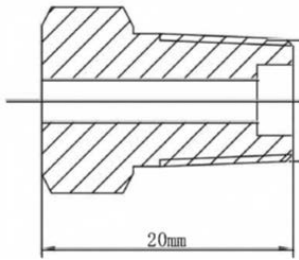
HJ	HJMM-15-ZF2-SS																											
HJ	<p>Filter Type</p> <p>MM Gland</p>	<p>Pressure</p> <p>15 15 000 psi</p>	<p>Connection type</p> <p>ZF2 external thread UNF 1/2"x20 (20 threads/inch).</p>	<p>Material</p> <table border="1"> <tr> <td>SS</td> <td>316</td> </tr> <tr> <td>S6L</td> <td>SS 316L</td> </tr> <tr> <td>S4</td> <td>SS 304</td> </tr> <tr> <td>S21</td> <td>SS 321</td> </tr> <tr> <td>904L</td> <td>SS 904L</td> </tr> <tr> <td>M4</td> <td>SS Alloy</td> </tr> <tr> <td>INC6</td> <td>400 Alloy</td> </tr> <tr> <td>HC</td> <td>600 Alloy</td> </tr> <tr> <td>CS</td> <td>C-276 Alloy</td> </tr> <tr> <td>MS</td> <td>Carbon Steel</td> </tr> <tr> <td></td> <td>Brass</td> </tr> <tr> <td></td> <td>5</td> </tr> </table>	SS	316	S6L	SS 316L	S4	SS 304	S21	SS 321	904L	SS 904L	M4	SS Alloy	INC6	400 Alloy	HC	600 Alloy	CS	C-276 Alloy	MS	Carbon Steel		Brass		5
SS	316																											
S6L	SS 316L																											
S4	SS 304																											
S21	SS 321																											
904L	SS 904L																											
M4	SS Alloy																											
INC6	400 Alloy																											
HC	600 Alloy																											
CS	C-276 Alloy																											
MS	Carbon Steel																											
	Brass																											
	5																											





Fittings and glands Discription

HJMM series



P-RT Size	Basic Ordering Number	Dimensions, mm			Working Pressure psig(bar)	
		L	Tube	Thread	316 SS, Steel	Brass
1/2	HJMM15-ZF2-SS	20	3,18 (1/8')	external thread UNF 1/2"x20 (20 threads/inch).	10000(690)	5000(344)

Uncommon



Ball valves HJQF3

Uncommon

Ordering Number Description

HJQF3	GZ		10		YZ	12	P	06	B	A	SS			
Series	Inlet Type		Inlet Size		Outlet Type		Outlet Size		Handle		Flow Pattern		Body Material	
HJQF3	FNPT	Female NPT	2	1/8"	Same as Inlet	Specify in the same way as inlet Type and inlet Size	PTFE	02	0.09" (2.4 mm)	Black Nylon Handle	Straight	SS	316 SS	
	MNPT	Male NPT	4	1/4"				03	0.13" (3.2 mm)	Red Nylon Handle				A
	FRT	Female BSPT	6	3/8" or 6 mm			PEEK	04	0.17" (4.2 mm)	Green Nylon Handle	3	S4	304 SS	
	RT	Male BSPT	8	1/2" or 8 mm				05	0.19" (4.7 mm)	Blue Nylon Handle				
	FMS	Female Metric Thread (for RG-M)	10	10 mm				06	0.25" (6.4 mm)	Yellow Nylon Handle				
	MS	Male Metric Thread (for RG-M)	12	3/4" or 12 mm				10	0.41" (10.3 mm)	Black Aluminium Handle				
	FRP	Female BSPP (for RP)	14	14 mm or M14 x 1.5										
	BP	Male BSPP (for RG)	16	1" or 16 mm										
	YZ	Fractional Tube Fitting	18	18 mm										
	GZ	Metric Tube Fitting	20	1 1/4" or 20 mm or M20 x 1.5										
			22	22 mm or M22 x 1.5										
			24	M24 x 1.5										

Notes:1. Standard thread pitch for metric threads are as follows:

- M10 and below: 1 mm
- M12 to M24: 1.5 mm

High Performance Ball Valves

HJQF3 Series

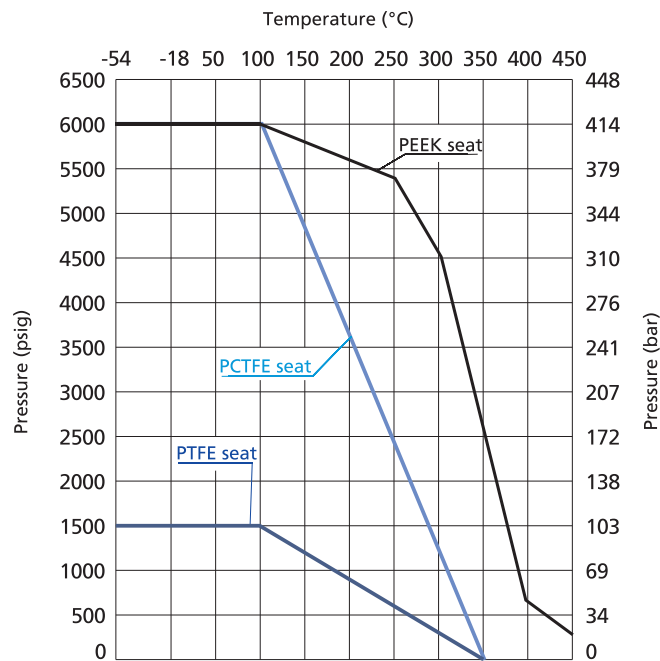
Features

- Working pressure up to: 6000 psig (414 bar)
- Working temperature: -65°F to 450F (-54°C to 315°C)
- Low operating torque
- Handle as indicator of flow direction
- Positive handle stop
- Electric and pneumatic actuator available
- Handle color options available
- Leak-tight performance testing with nitrogen or compressed air for every valve to meet the requirement of no visible leakage at the rated pressure
- Bidirectional flow for straight valves
- The inlet of 3-way valves and angle pattern valves can only be the bottom port



Pressure vs. Temperature

316 SS Body

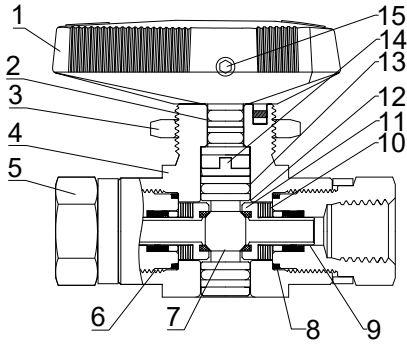


Note: The working pressure of valves is restricted by materials of the valve body and seat, as well as end connections. When choosing a valve for your applications, please refer to the above Temperature vs. Pressure Curves and the pressure rating in the dimension table. The minimum value shall be the pressure rating of the valve.



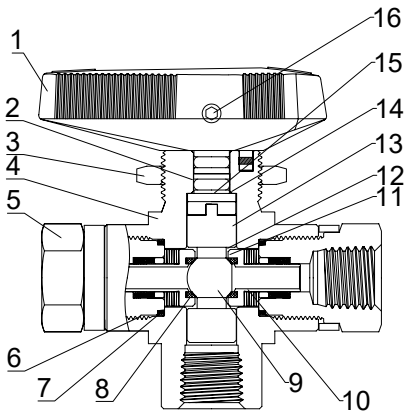
Standard Materials of Construction

Straight Valves



Item	Component	Valve Body Material
		SS
1	Handle	Nylon or Aluminium
2	Packing Nut	316 SS/A479
3	Panel Nut	316 SS/A479
4	Body	316 SS/A479
5	End Connection	316 SS/A479
6	Connection O-ring	PTFE
7	Ball	316 SS/A479
8	Seat	PTFE or PCTFE or PEEK
9	Seat Retainer	316 SS/A479
10	Seat Packing	PTFE
11	Stem Back-up Ring	PEEK
12	Stem Washer	316/A479
13	Stem Packing	PTFE
14	Stem	316 SS/A479
15	Set Screw	Galvanized carbon steel
	Lubricants	Fluorinated-based

3-way Valves



Item	Component	Valve Body Material
		SS
1	Handle	Nylon or Aluminium
2	Packing Nut	316 SS/A479
3	Panel Nut	316 SS/A479
4	Body	316 SS/A479
5	End Connection	316 SS/A479
6	Connection O-ring	PTFE
7	Seat Packing	PTFE
8	Seat	PTFE or PCTFE or PEEK
9	Ball	316 SS/A479
10	Seat Retainer	316 SS/A479
11	Trunnion Bearing	PEEK
12	Stem Back-up Ring	PEEK
13	Stem Packing	PTFE
14	Stem Washer	316 SS/A479
15	Stem	316 SS/A479
16	Set Screw	Galvanized carbon steel
	Lubricants	Fluorinated-based

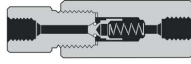


Basic Ordering Number	Connection Type and Size	Pressure Rating of End Connections @ 100°F (38°C) psig (bar)	Orifice in. (mm)	Cv	Dimensions, in. (mm)									
					A	B	C	D	E	F	G	H	I	
HJQF36H-YZ2-5-SS	1/8" Fractional Tube Fitting	6000 (414)	0.09 (2.4)	0.21	2.72 (69.0)	1.36 (34.5)								
HJQF3-YZ2-02-SS	1/8" Fractional Tube Fitting	6000 (414)			2.74 (69.6)	1.37 (34.8)								
HJQF3-YZ2-03-SS	1/8" Fractional Tube Fitting	6000 (414)												

Uncommon



Check valve HJZH1



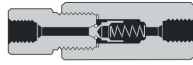
Uncommon

Ordering Number Description

HJGL15-NPT2-5-SS			
HJ	HJ		
Filter Type	Connection type	CV	Material
ZH1 Check valve	YZ4 1/4" Fractional Tube Fitting	1 0,47	SS
	YZ6 3/8" Fractional Tube Fitting	2 1,47	S6L
			S4
			S21
			904L
			M4
			INC6
			HC
			CS
			MS
			316
			SS
			316L
			SS
			304
			SS
			321
			SS
			904L
			Alloy
			400
			Alloy
			600
			Alloy
			C-276
			Carbon
			Steel
			Bras
			s



Check valve HJZH1 discription



HJZH1 Series									
P-RT Size	Tube Size	Basic Ordering Number	Specifications					Working Pressure psig(bar)	
			CV	Seal	Opening	Type	Conection	316 SS, Steel	Brass
1/4	1/4	HJZH1-YZ4-1-SS	0,47	PTFE	0,03 bar	stright	Fractional	6500(447)	3200(220)
3/8	3/8	HJZH1-YZ6-2-SS	1,47	PTFE	0,07 bar	stright	Fractional	6600(454)	3300(227)

last updated 2023.04
Copyright 2023.



ANHUI HONGJI INSTRUMENT& VALVE MANUFACTURING CO.,LTD.

Web: www.hongjienterprise.com

Mail: sales@hongjienterprise.com

Add: No.77 Tiancha Rd.Tianchang,Anhui Province, China.